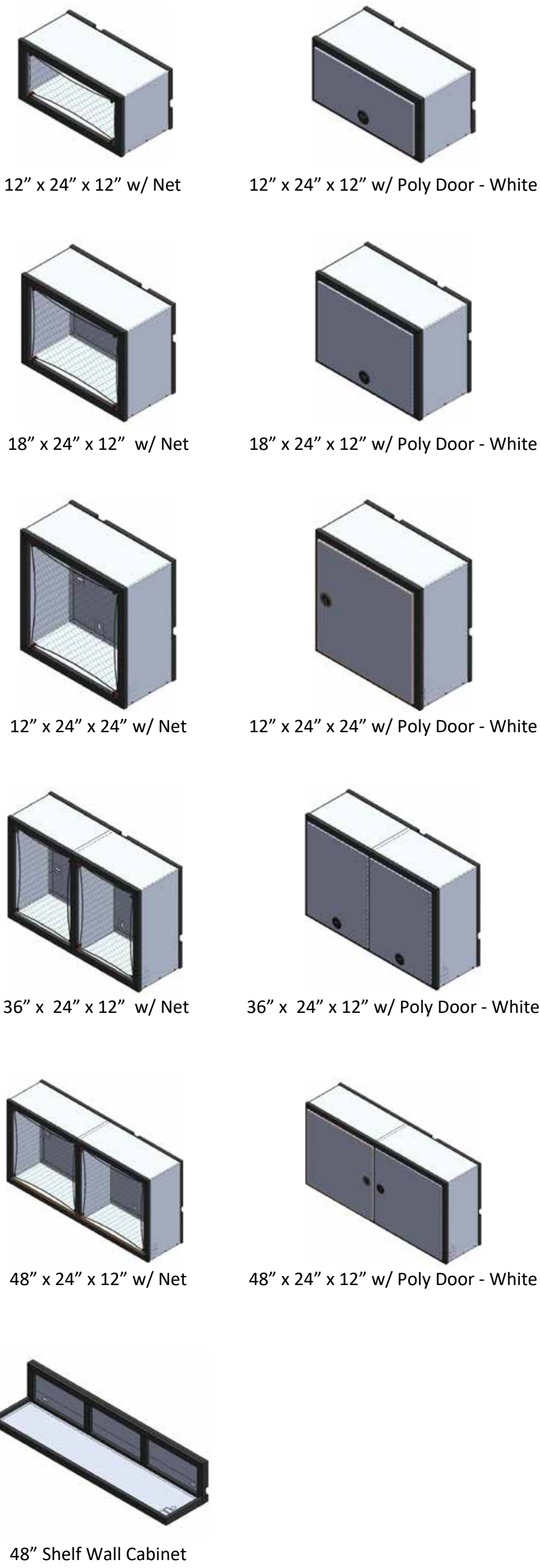
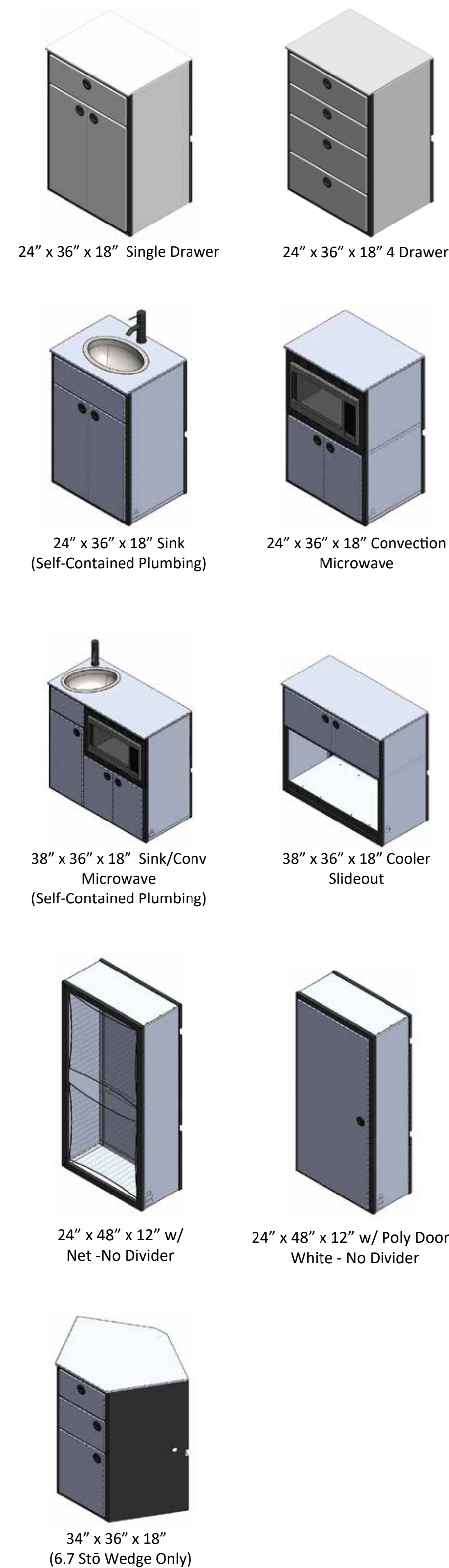


WALL CABINETS



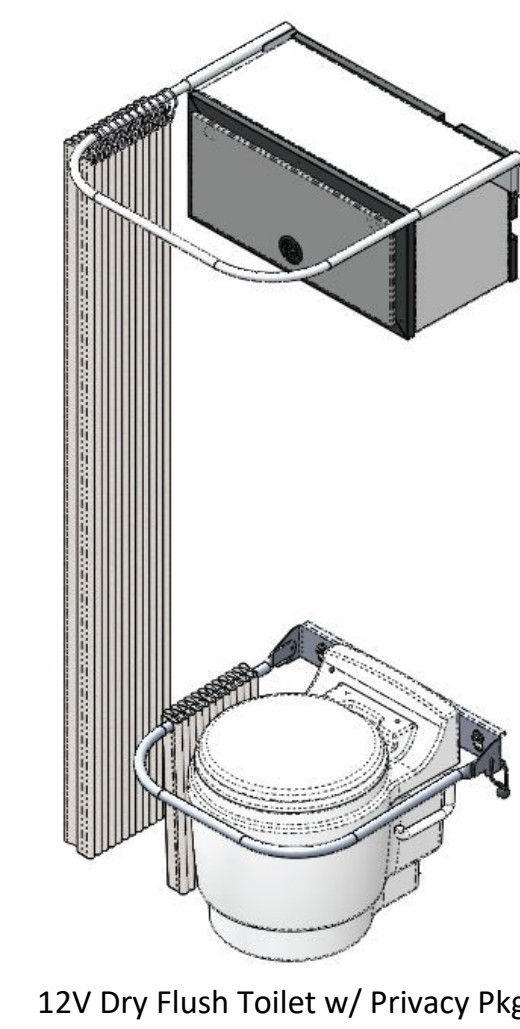
BASE CABINETS



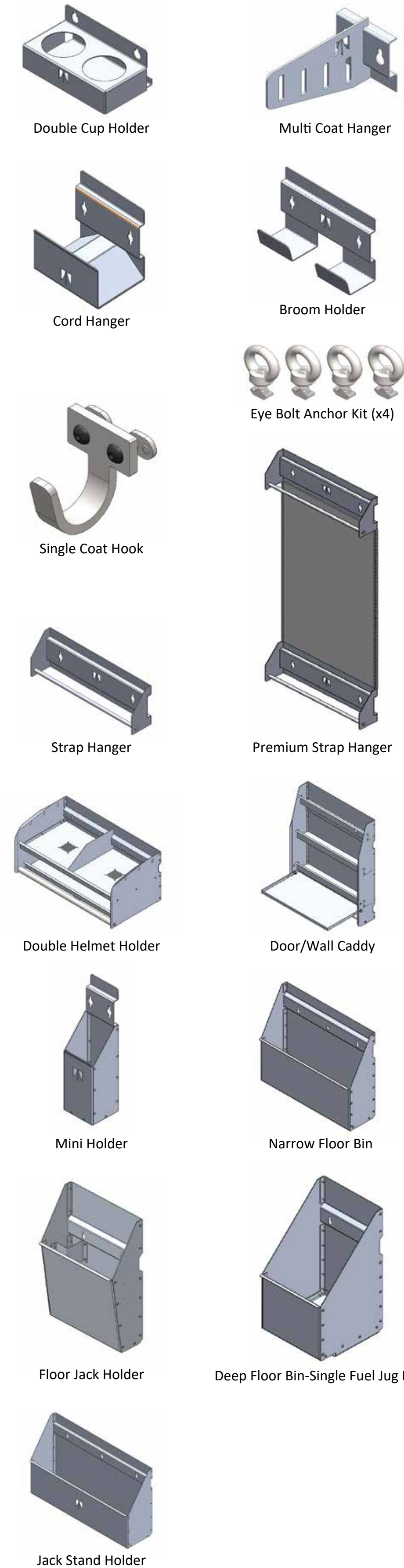
FURNITURE



AMENITIES



ACCESSORIES



HARDWARE

